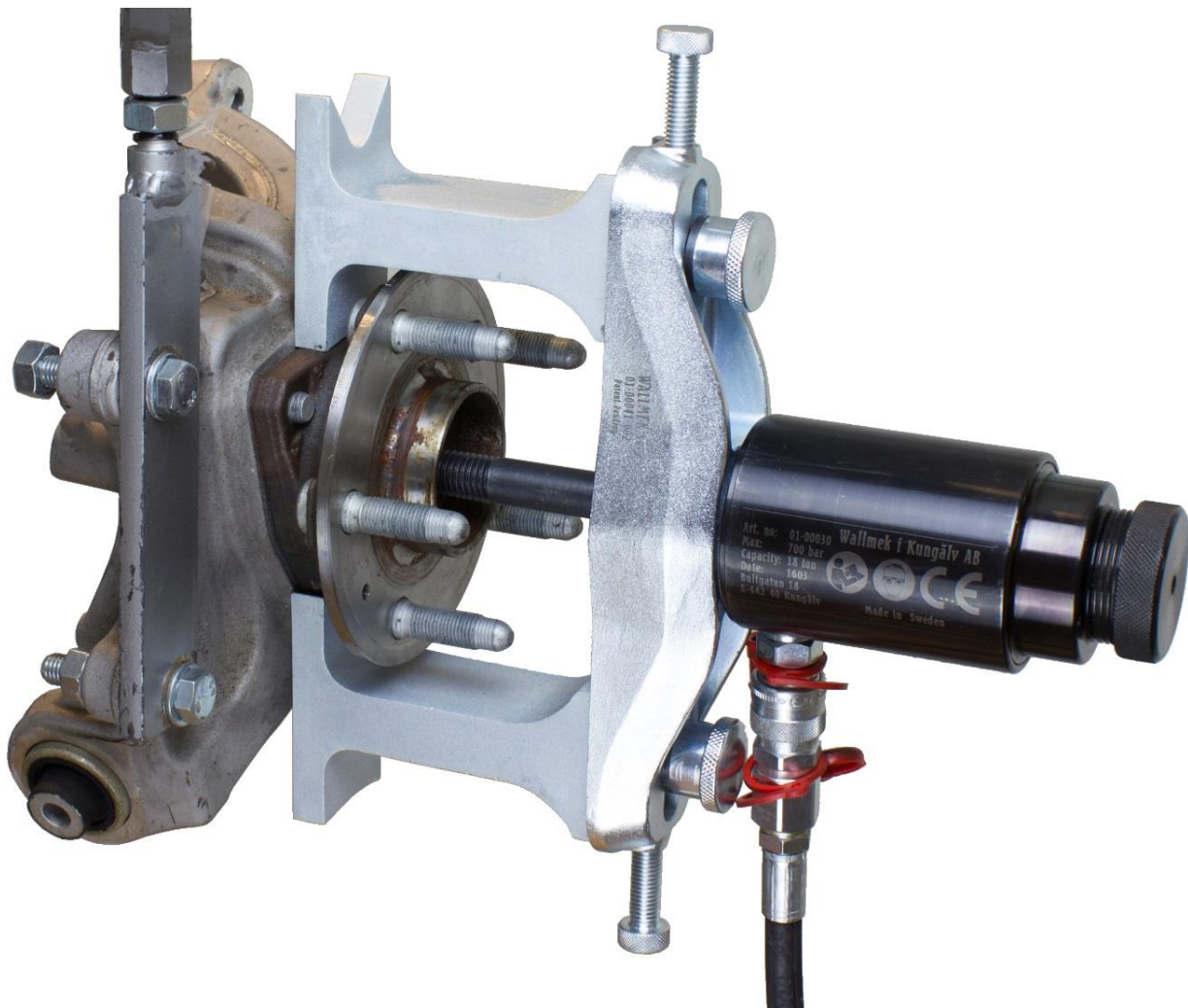


WALLMEK i Kungälv AB – Special tools for auto repairs

www.wallmek.se • info@wallmek.se • Tel. +46(0)303 58580 • Bultgatan 18, 442 40 Kungälv, Sweden

Manual 01-00027



01-00041-002 Patent Pending European Patent Application No. EP16200076.4
Protected design within EU – RCD No. 003477090-0001/0002
US Design Patent Pending – Patent Application No. 29/604 325
01-00030 Patent Pending - European Patent Application No. EP15189415.1
Patent pending - US Patent Application No. 15/290,852

WALLMEK i Kungälv AB – Special tools for auto repairs

www.wallmek.se • info@wallmek.se • Tel. +46(0)303 58580 • Bultgatan 18, 442 40 Kungälv, Sweden

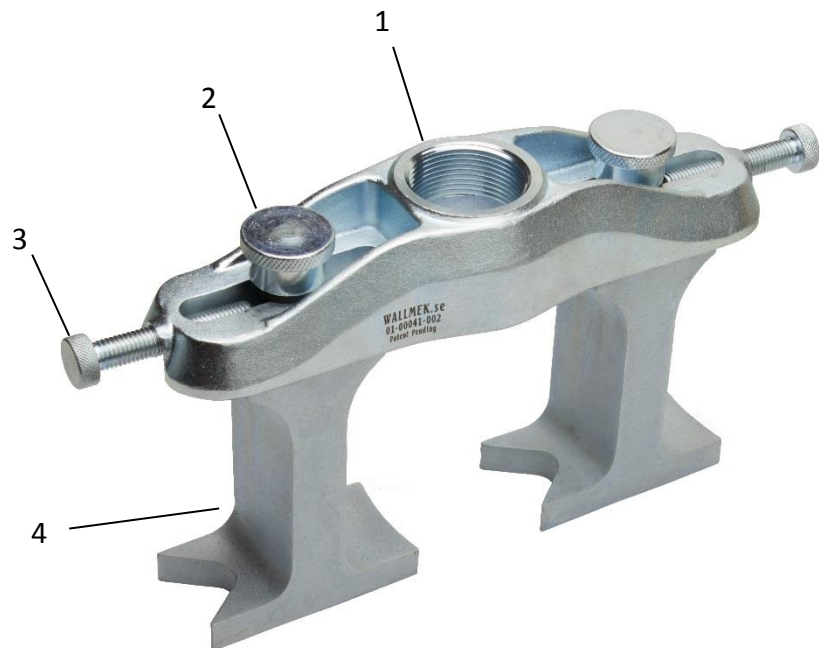
01-00027

1 – 01-00041-002

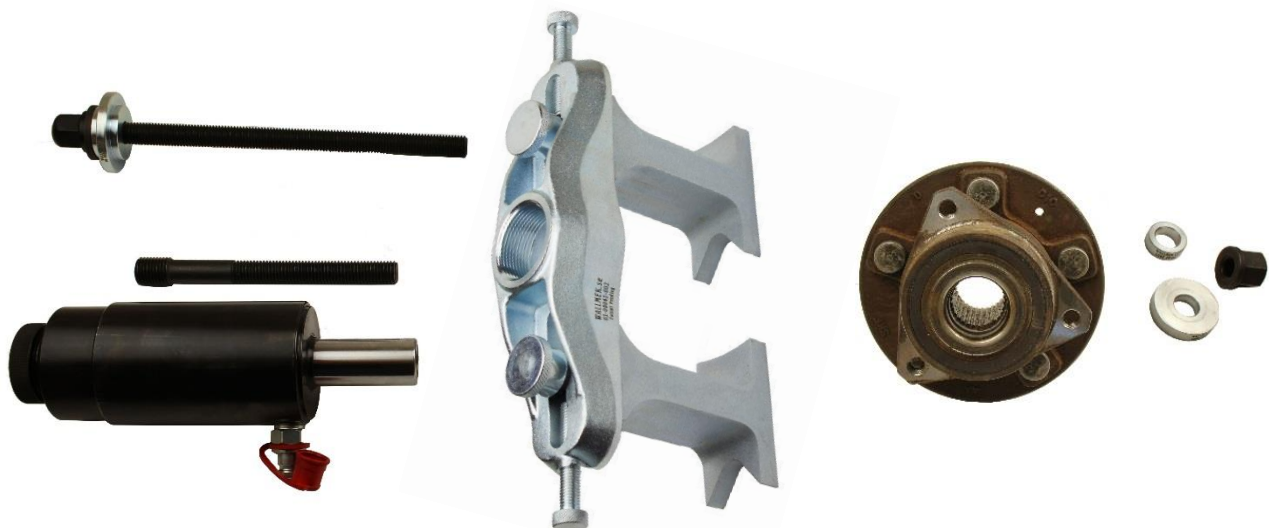
2 – 01-00018-003 x 2

3 – 01-00018-004 x 2

4 – 01-00027-001 x 2



Används med / to
be used with /
wird benutzt mit
/ utilize avec:
Cylinder ≤22 T
1090-02-WAL
01-00030
01-00020



WALLMEK i Kungälv AB – Special tools for auto repairs

www.wallmek.se • info@wallmek.se • Tel. +46(0)303 58580 • Bultgatan 18, 442 40 Kungälv, Sweden

